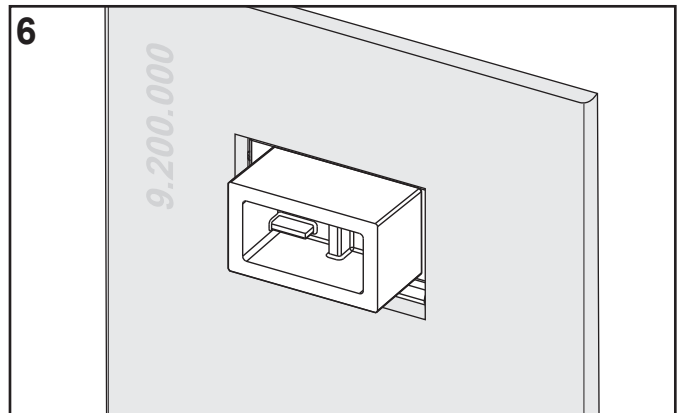
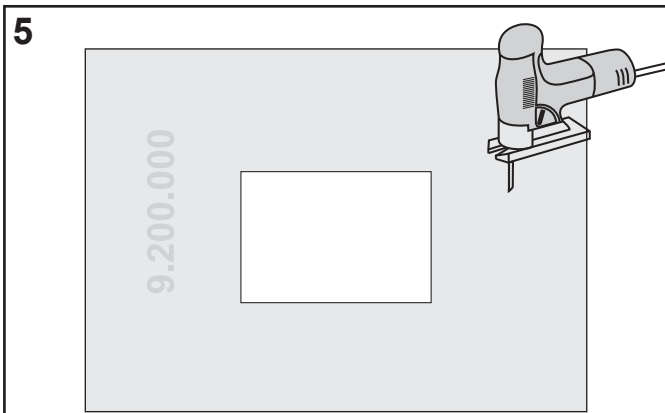
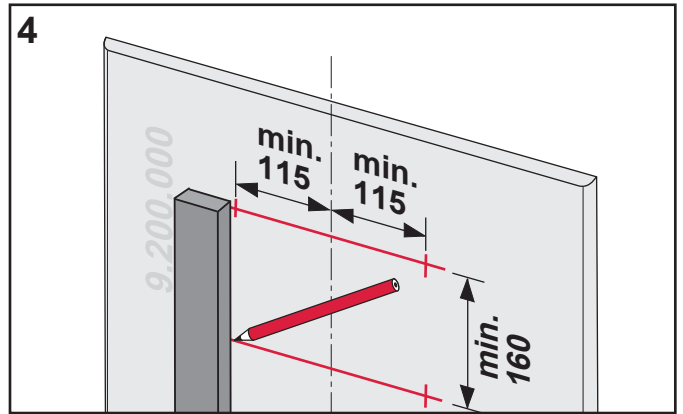
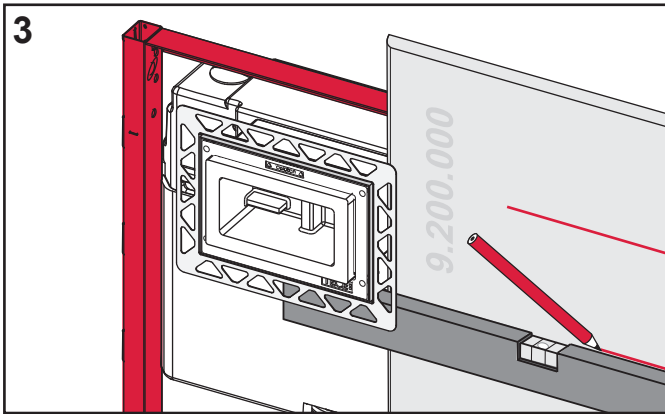
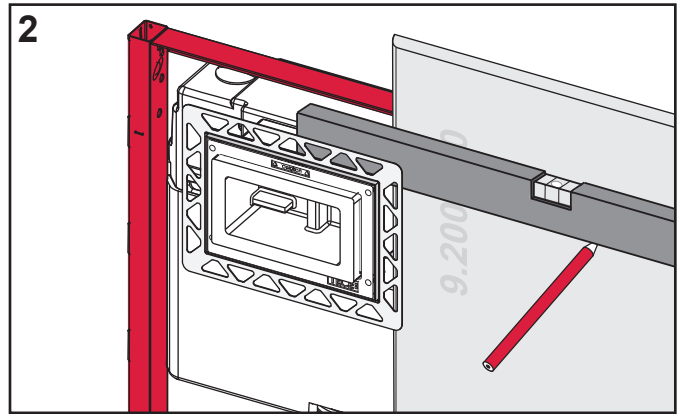
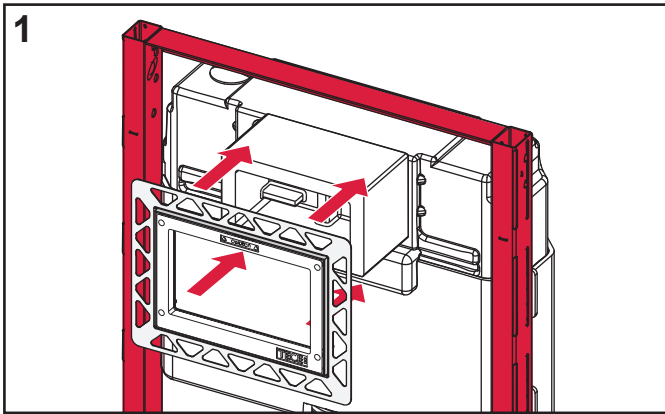
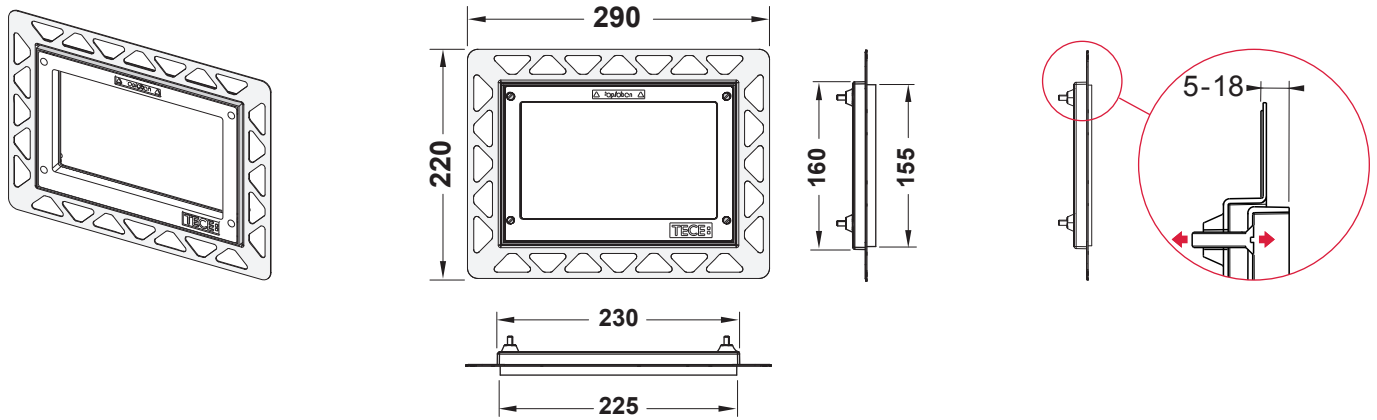
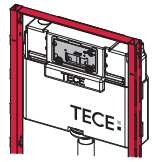
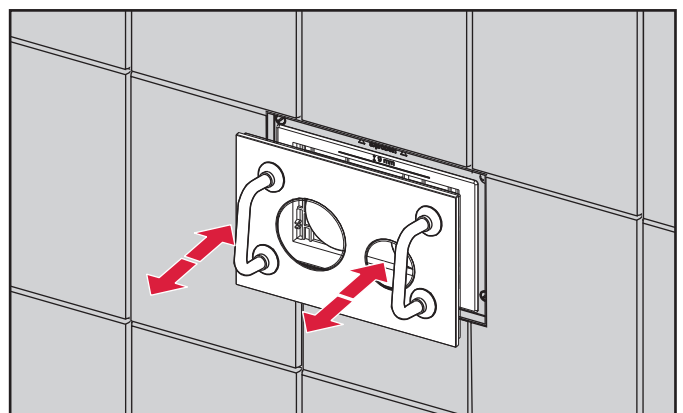
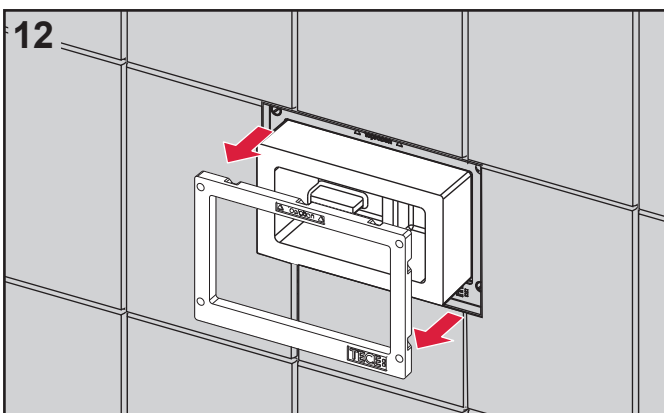
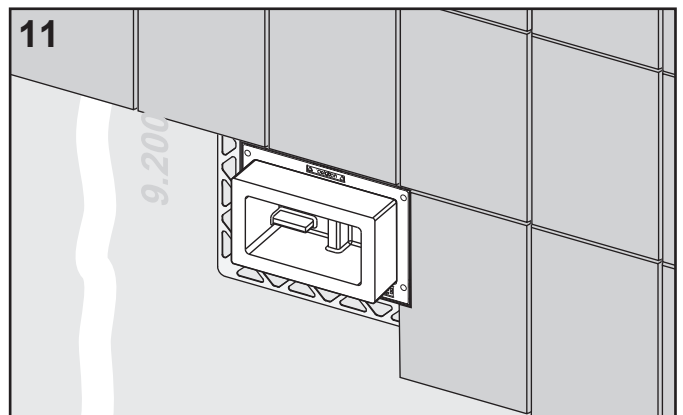
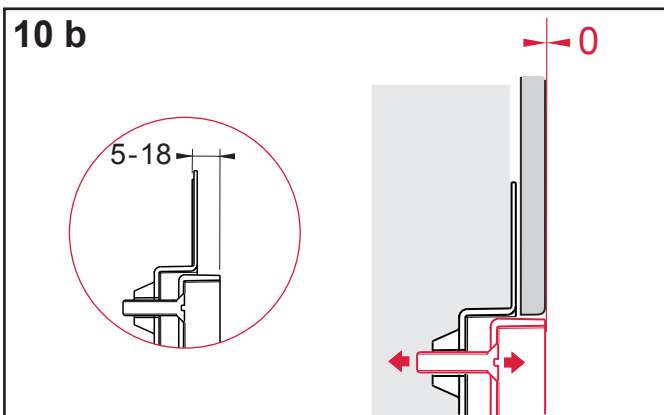
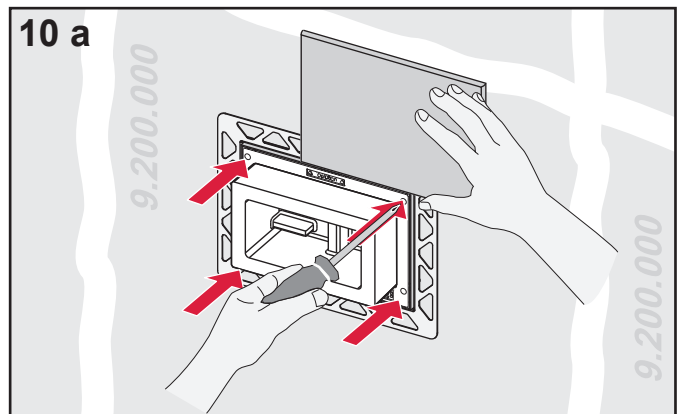
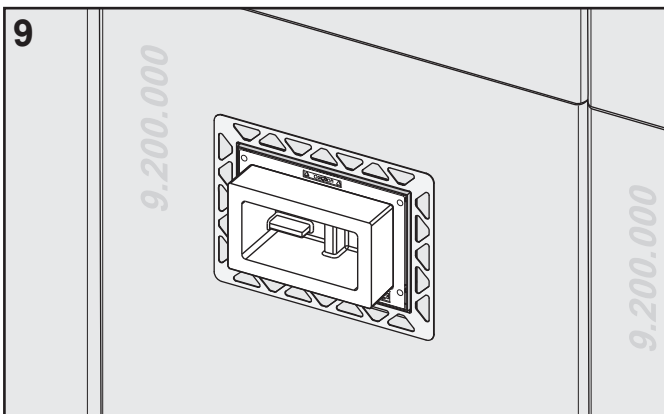
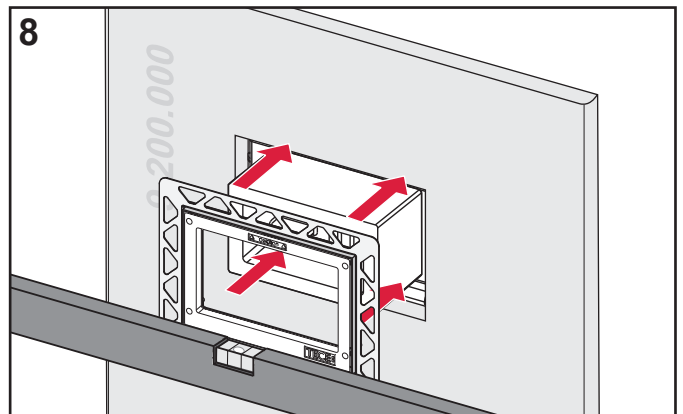
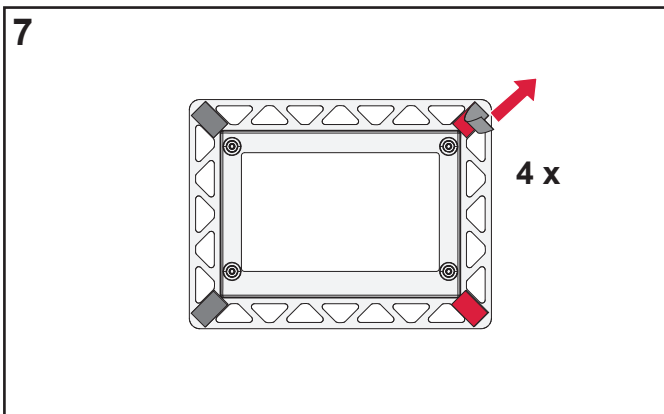
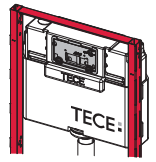


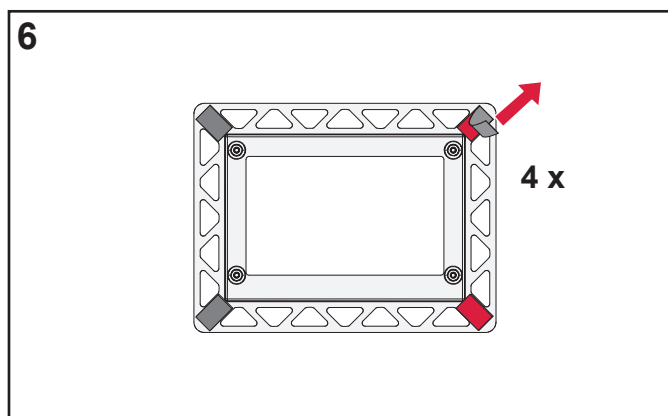
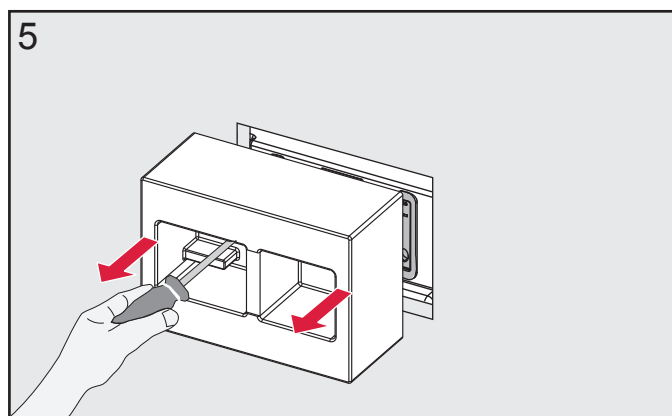
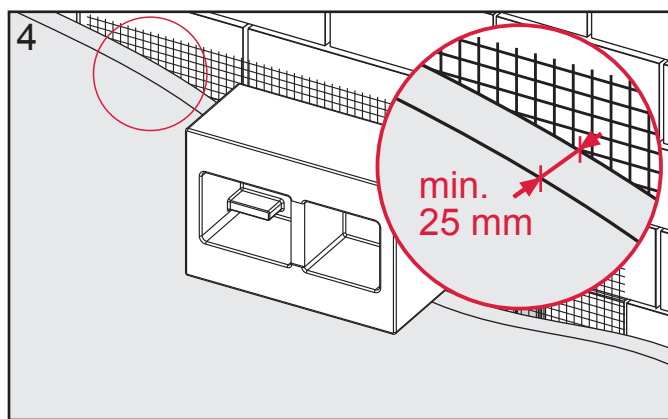
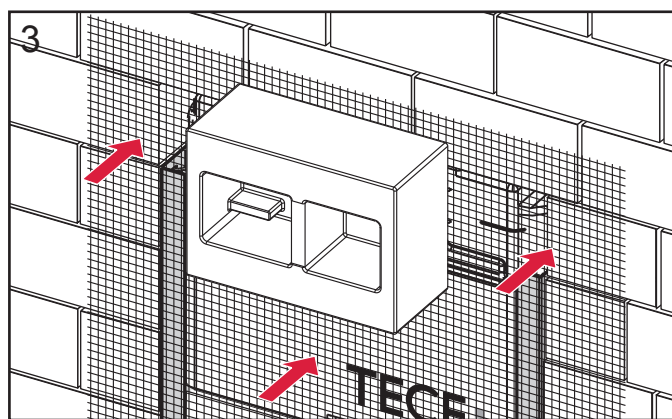
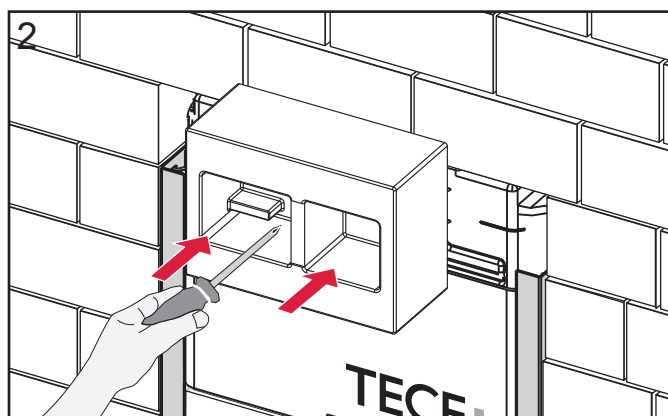
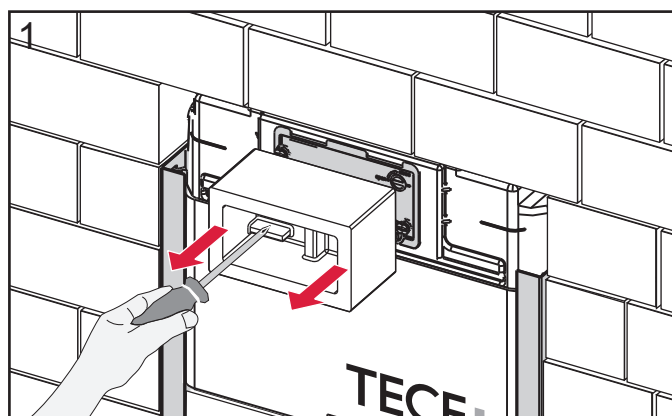
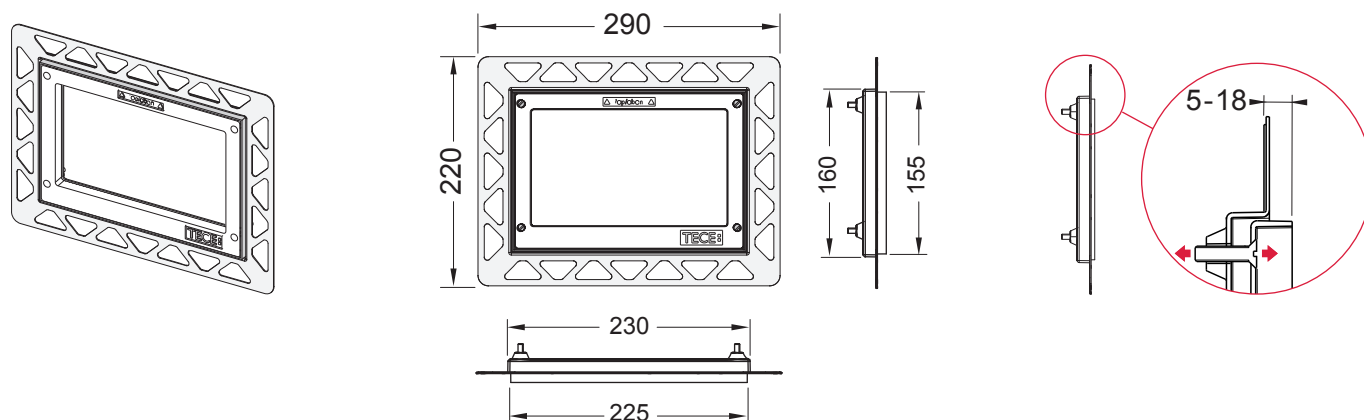
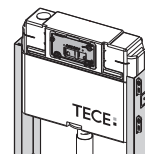
TECEloop/TECEsquare – 9.240.646–9.240.649 + 9.300.0xx



TECE:



TECEloop/TECEsquare – 9.240.646–9.240.649 + 9.370.0xx



TECE:

